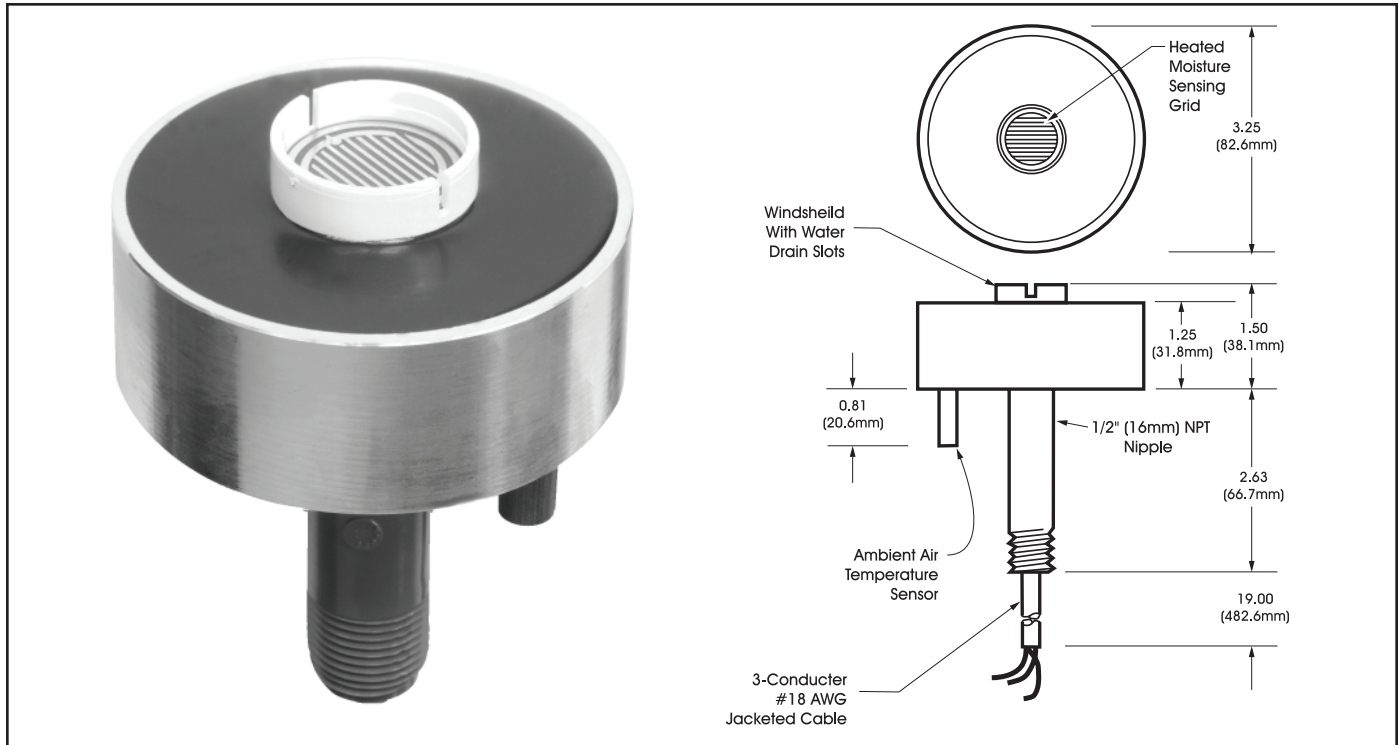


FEATURES & BENEFITS

- Minimum snow melting cost
- No supervision required
- Reliable snow sensing
- Senses both temperature and precipitation
- Application flexibility
- Simple installation
- Field proven in thousands of installations



DESCRIPTION

The CIT-1 Snow Sensor detects falling or blowing precipitation as snow at temperatures below 38°F (3.3°C). The CIT-1 provides the industry's most versatile and cost effective automatic snow melting control when used with any APS or EUR series control panel, old or new.

Reliability and sensitivity are key CIT-1 features. The solid state design, combined with a rugged aluminum housing and epoxy potting, ensure many

years of trouble free service. Precision precipitation and temperature sensors assure snow detection accuracy.

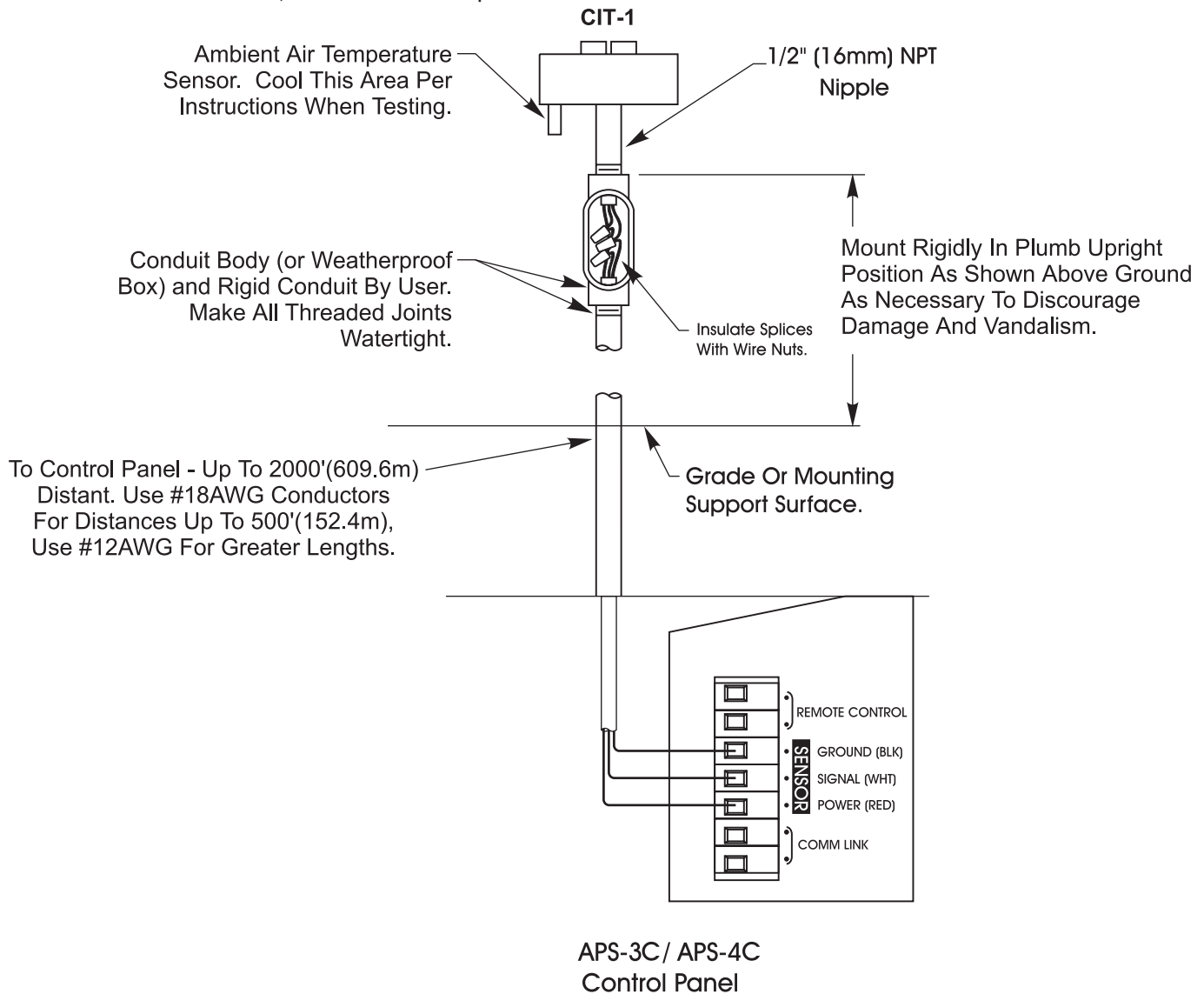
Typical applications include controlling snow melting systems or sidewalks, doorways, stairs, loading docks, ramps for the physically challenged and parking garages. Easy installation is another key CIT-1 feature. Low voltage operation, up to 2,000' (609.6m) separation from the control panel, mast or roof mounting, and

noncritical extension wiring are just a few of the features making this possible.

For complete information describing its application, installation and features, please contact Customer Service or check on the web at www.networketi.com.

INSTALLATION

Choose an unobstructed, elevated location exposed to snowfall.



ORDERING INFORMATION

Order Number	Description
10001	CIT-1 Snow Sensor

LIMITED WARRANTY

ETI's two year limited warranty covering defects in workmanship and materials applies. Contact Customer Service for complete warranty information.

DISCLAIMER

Environmental Technology, Inc. makes no representations or warranties, either expressed or implied, with respect to the contents of this publication or the products that it describes, and **specifically disclaims any implied warranties of merchantability or fitness for any particular purpose.** Environmental Technology, Inc. reserves the right to revise this publication, and to make changes and improvements to the products described in this publication, without the obligation of Environmental Technology, Inc. to notify any person or organization of such revisions, changes or improvements.